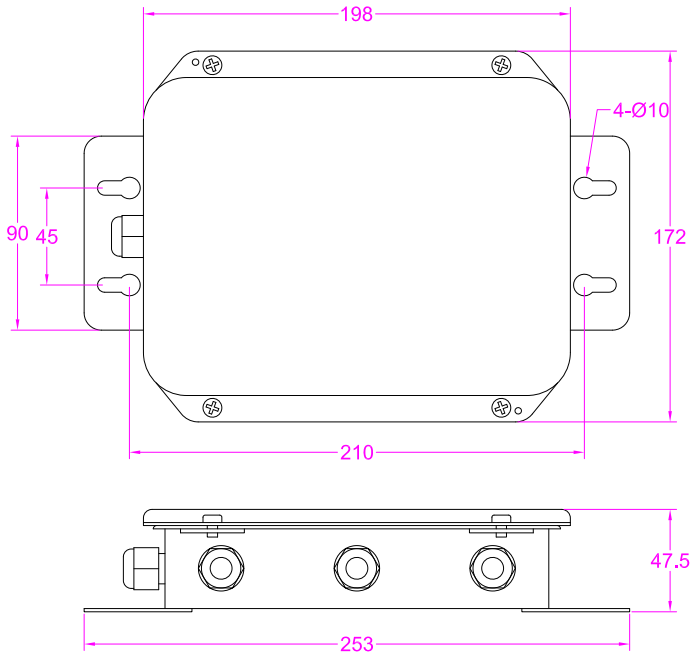
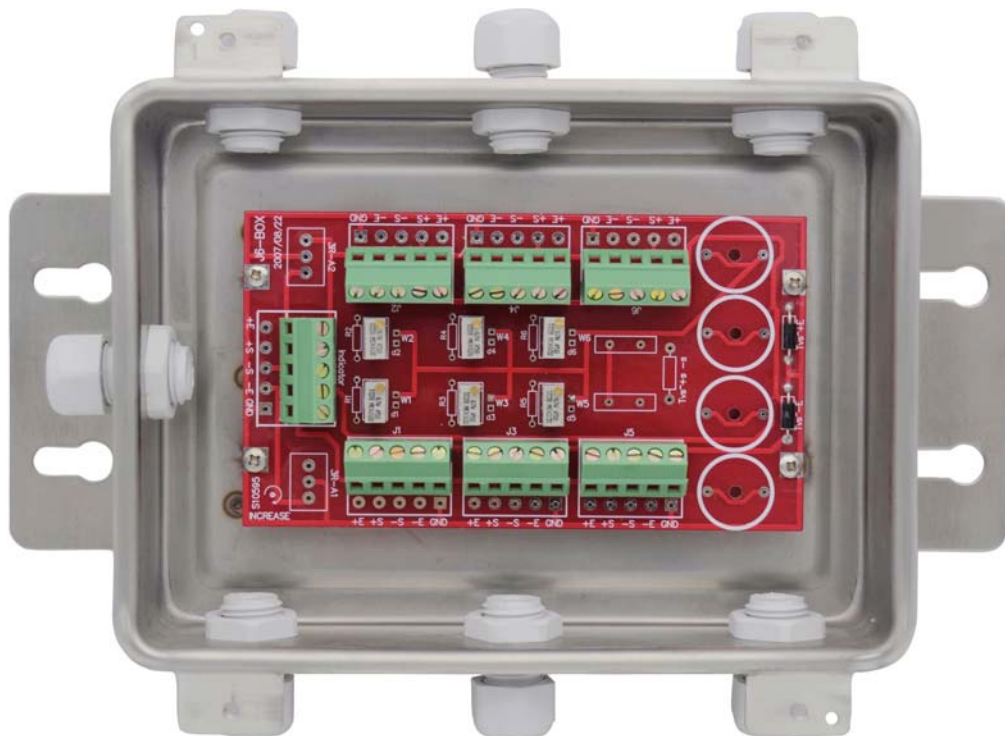


6-input Load cell junction box



- Stainless steel enclosure
- Applicable cable diameter Ø4~Ø8
- Net weight: 1.19kg
- IP65 protection
- Signal trimming for up to 6 load cells

Internal view



- Clip terminals J1~J6 are for load cell connection
 - Potentiometers W1~W6 are for signal trimming
 - Terminal indicator is for indicator connection
- +E ---- Excitation(+)
 -E ---- Excitation(-)
 +S ---- Signal(+)
 -S ---- Signal(-)
 GND ---- Shield